

**SUBMITTAL: 3600 SERIES BLANKET & EXTINGUISHER CABINET - STEEL**

**Door and Trim Construction:** Cold rolled steel with white powder-coat finish. Flush cabinet doors with a 5/8" door stop are attached by a continuous hinge and equipped with zinc-plated handle and roller catch. Full glazed front with pull handle.

**Trim Style and Depth:** *Recessed* - 3/8" Flat Trim. *Semi-Recessed* - 1-1/2" Square Trim or 2-1/2" Rolled Edge. *Surface-Mounted*. - has a square edge. 1-3/4" face trim on frame and 1-1/4" trim on door. ADA-compliant models in [blue](#).

**Tub:** Constructed of cold rolled steel with white powder-coat finish standard.

**Glazing:** .09 Acrylic Glazing

**Shelf:** Shelf is located 9" from the top of the cabinet, providing storage for the blanket above the extinguisher.

**Blanket:** Includes a nominal 62" x 80" x 2.75 lb., processed wool/synthetic fire blanket which meets the Flammable Fabrics Act: Flammability of Clothing Textiles, Title 16, CFR1610

**Fire Rated Option :** [See Separate Submittal for FX Model](#)

**STEP 1: Select Model Number, Size and Quantity** (Refer to Chart Below)

**STEP 2: Select Door Style:**

- F10** Full Acrylic Glazing w/Pull   
  **G10** Full Acrylic Glazing w/SAF-T-LOK™ & Pull   
  **S21** Solid Door w/Pull   
  **L22** Solid Door w/SAF-T-LOK® & Pull  
 **F17** Full Tempered Glass Door & Pull   
  **V10** Vert. Duo Acrylic & Pull   
  **W10** Vert. Duo Acrylic w/SAF-T-LOK™ & Pull  
 **W17** Vert. Duo w/SAF-T-LOK™ & Pull   
  **F13** Full WS Glass Door & Pull (WireShield Glass with Safety Film)

**STEP 3: Optional Features at Additional Cost:**

- |  |   |   |
|--|---|---|
| <input type="checkbox"/> Color Tub - Red         | <input type="checkbox"/> Commander Alarm                                  | <input type="checkbox"/> Black Vertical FE Letters LDCVBF E   |
| <input type="checkbox"/> Color Tub - Black       | <input type="checkbox"/> Brigadier Alarm                                  | <input type="checkbox"/> Red Vertical FE Letters LDCVRF E     |
| <input type="checkbox"/> Color Door/Trim - Red   | <input type="checkbox"/> Strobe Alarm (3612, 3618 or 3613. models)        | <input type="checkbox"/> White Vertical FE Letters LDCVWF E   |
| <input type="checkbox"/> Color Door/Trim - Black | <input type="checkbox"/> Futura "Fire" Handle                             | <input type="checkbox"/> Black Horizontal FE Letters LDCHBF E |
| <input type="checkbox"/> Other Color Code: _____ | <input type="checkbox"/> Flush Pull Handle                                | <input type="checkbox"/> Red Horizontal FE Letters LDCHRF E   |
| <input type="checkbox"/> MC Magnetic Door Catch  | <input type="checkbox"/> "Fire Blanket" Letters - Red Horizontal LDCHRF B | <input type="checkbox"/> White Horizontal FE Letters LDCHWF E |


[BIM Objects for REVIT® Platform](#)



3617F10

**Model 3616F10 with 1-1/2" Square Trim**

QTY	TRIM & DOOR & SERIES #		TUB I.D.			FRAME O.D.		WALL OPENING			ACCOMMODATES FOLLOWING EXTINGUISHERS
	Model	Trim Style	A	B	C	E	F	W	H	D	<a href="#">View Extinguisher Submittal</a>
	<b>3615</b>	Flat Trim	12"	36"	8"	15-3/8"	39-3/8"	13"	37"	8"	Cosmic & Galaxy 2.5-10, Mercury 2.5-15½, Sentinel 5-10, Saturn 15-25, Grenadier
	<b>3616</b>	1-1/2" Square Edge	12"	36"	8"	15-3/8"	39-3/8"	13"	37"	6-3/4"	
	<b>3617</b>	2-1/2" Rolled Edge	12"	36"	8"	15-3/8"	39-3/8"	13"	37"	5-3/4"	
	<b>3612</b>	4" Rolled Edge—ADA Pull	12"	36"	8"	15-3/8"	39-3/8"	13"	37"	4-1/4"	
	<b>3618</b>	4-1/2" Rolled Edge	12"	36"	8"	15-3/8"	39-3/8"	13"	37"	3-3/4"	
	<b>3613</b>	Surface-Mounted Square	15-3/16"	39-3/16"	8"	15-3/8"	39-3/8"	---	---	---	

 <p><b>ACTIVAR INC.</b> CONSTRUCTION PRODUCTS GROUP</p> <p>3600 AND SAF-T-LOK ARE TRADEMARKS OF ACTIVAR</p> <p>PLEASE DOWNLOAD THE MOST CURRENT SUBMITTAL FROM WEBSITE BEFORE ORDERING</p>	Distributor:	Quantity:
	Contractor:	Approved By:
	Model #:	Architect:
	Project:	Date:

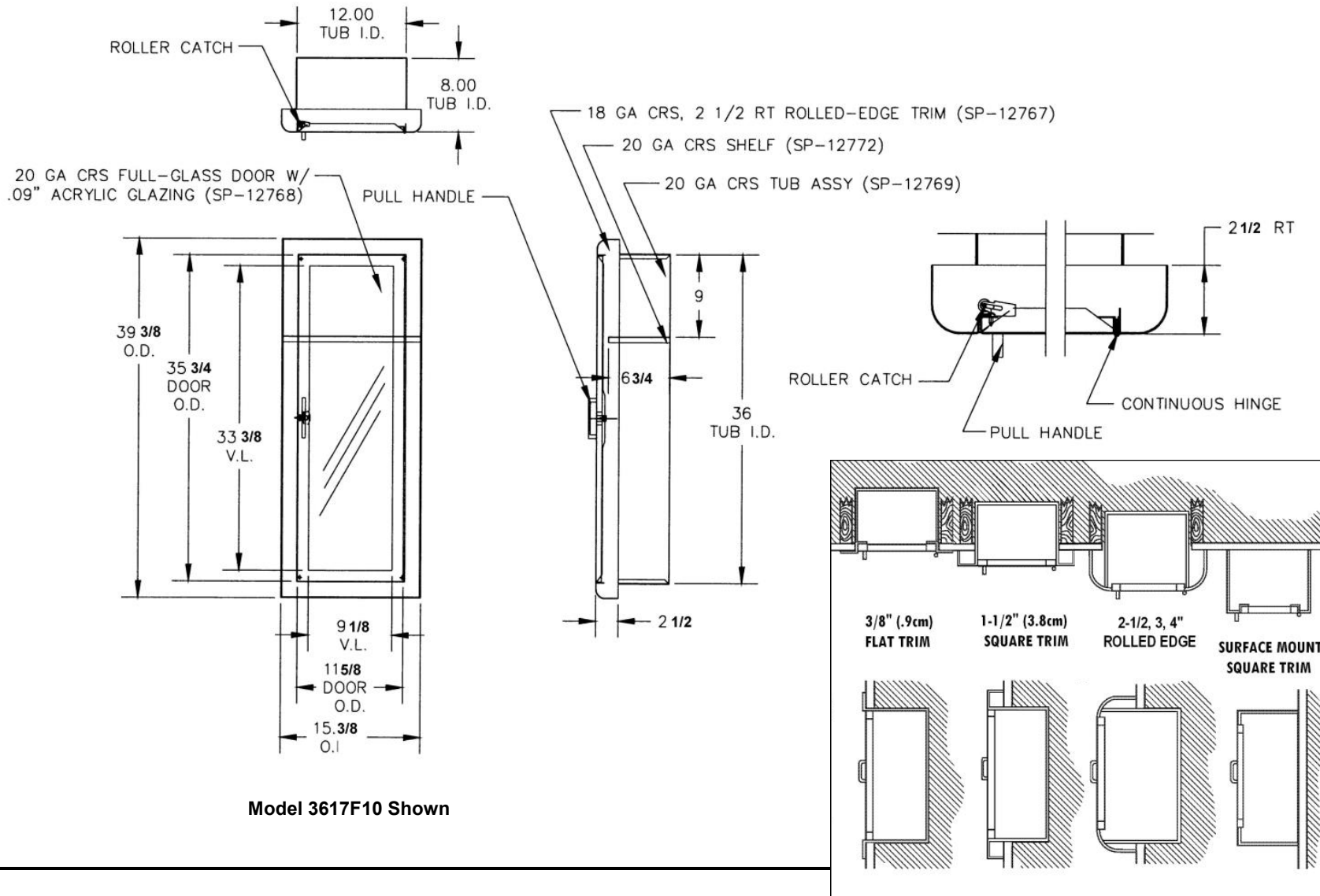
7/13/16



**FOR MORE INFORMATION CALL 1-888-926-1365**

Superior Specialty Supply • 9 Council Drive • PO Box 417 • Woodsboro, MD 21798 • [www.sssupply.com](http://www.sssupply.com)

**SUBMITTAL: 3600 SERIES BLANKET & EXTINGUISHER CABINET - STEEL**



**FOR MORE INFORMATION CALL 1-888-926-1365**

Superior Specialty Supply • 9 Council Drive • PO Box 417 • Woodsboro, MD 21798 • [www.sssupply.com](http://www.sssupply.com)