

SUBMITTAL: EMBASSY FIRE-FX2™ FIRE EXTINGUISHER CABINETS

The Embassy Series is a Decorative, Trimless, Recessed Cabinet Suitable for the Most Upscale Application in our Finest Finishes of Brass, Bronze, Stainless Steel, Aluminum or Painted Steel. All Models Comply with ADA Projection Requirements.

Door & Trim Construction: The 7/8" thick formed cabinet doors are available in #4 satin stainless steel, US10 satin bronze, US3 polished brass, clear anodized aluminum or powder-coated white steel. Doors feature two concealed hinges at top & bottom of door, concealed handle and roller catch. "V" and "S21" doors can be opened from the bottom of the cabinet using the handle in the door. "W" or "L22" door styles have an additional zinc-plated pull (painted to match brass, color anodized, US10B or bronze finishes) installed approximately 3/4" above lock which is centered top to bottom on the door.

Tub: The tub is constructed of cold rolled steel with white powder-coat finish standard. Tub forms a 1.56" wide flange to cover cut edges of wallboard. Fire-resistant material is attached to the exterior of the tub. *Please note that dimensions for wall opening have changed in 2015. See Chart on pg 2.*

Knockouts: Knockouts are not provided on Fire-Rated Cabinets. Instructions for Knockouts in the field are provided upon request and must be strictly adhered to, in order to maintain fire rating. 5900 available without shelf to allow for lower mounting height of piping to meet NFPA10 and ADA.



5644V10FX2 Bronze



5634L22FX2
Stainless Steel



STEP 1: SELECT MODEL NUMBER AND QUANTITY ON CHART (refer to chart on page 2)

A. Determine Tub I.D. according to size most suited for extinguisher and wall opening.

STEP 2: SELECT DOOR STYLE

(Check one box below)

- V Vertical Duo (Concealed Pull)
- W Vertical Duo with SAF-T-LOK™ & Pull
- S21 Solid (Concealed Pull)
- L22 Solid with SAF-T-LOK™ & Pull

STEP 3: SELECT DOOR GLAZING

(Check one box below)

- 10 Clear Acrylic
- 13 Clear Wire Glass with Safety Film
- 15 Bronze Acrylic
- 16 Gray Acrylic
- 17 Clear Tempered Glass
- 18 Laminated Safety Glass

Fire-Rating: Fire-FX2™ cabinets are fabricated in accordance with the UL label for one and two hour combustible and non-combustible wall system building codes. The fire testing has met the requirement of ANSI/UL 1479 (ASTM –E814) and ULC/CAN S115-for membrane and penetration firestops. Installation instructions must be strictly adhered to in order to obtain the fire rating.

STEP 4: OPTIONAL FEATURES AT ADDED COST (SELECT ANY)

Door Finish Options -(Specialty Finishes Have Pulls to match)

- Dark Bronze Anodized Aluminum Door:
- [Optional Color— Painted Steel Door](#); ____ code
- ____ #6 ____ #7 ____ #8 Stainless Steel Door
- US9 Polished Bronze Door - Clear-coated
- US10B Oil-Rubbed Bronze Door
- US4 Satin Brass Door - Clear-coated
- [View Bronze & Brass Finishes](#)

Lettering Options [View Lettering](#)

- Black Vertical "Fire Extinguisher" Diecut Letters LDCVBF
- Red Vertical "Fire Extinguisher" Diecut Letters LDCVRF
- White Vertical "Fire Extinguisher" Diecut Letters LDCVWF
- Black Horizontal "Fire Extinguisher" Diecut Letters LDCHBF
- Red Horizontal "Fire Extinguisher" Diecut Letters LDCHRF
- White Horizontal "Fire Extinguisher" Diecut Letters LDCHWF
- Etched Lettering on Glass or Engraved Lettering on Stainless Door



Other Options

- [Optional Color Tub](#) ____ Red ____ Black ____ Other [Optional Colors](#)
- Futura "Fire" Handle ____ Red ____ Mill ____ White
- (CA) Commander Alarm
- (BA) Brigadier Alarm

[View Alarms](#)

[BIM Objects for REVIT® Platform](#)

[Complete Separate Submittal for Etching or Engraving](#)

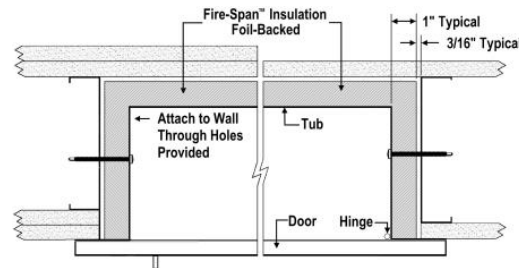
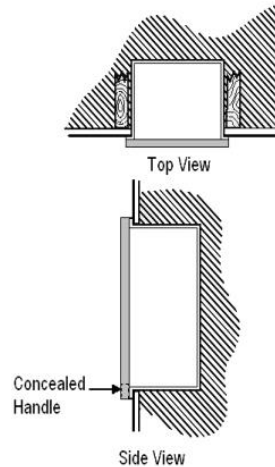
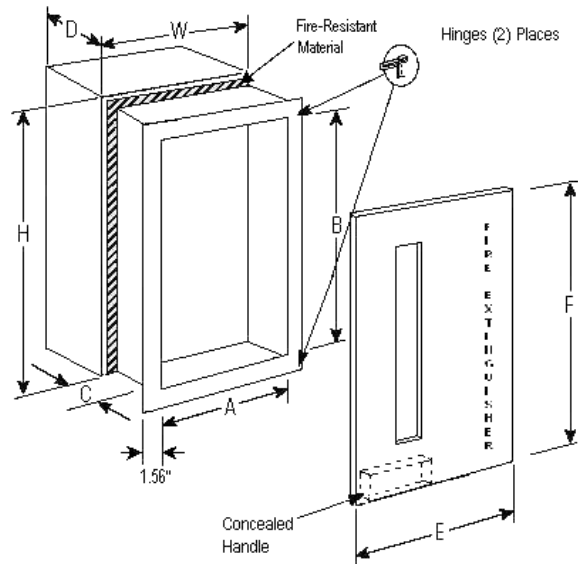
 JL INDUSTRIES	 EMBASSY, FXW AND SAF-T-LOK ARE TRADEMARKS OF ACTIVAR PLEASE DOWNLOAD THE MOST CURRENT SUBMITTAL FROM WEBSITE BEFORE ORDERING	Distributor:	Quantity:
		Contractor:	Approved By:
		Model #:	Architect:
		Project:	Date: © Activar Construction Products Group, Inc 2016
4/13/16			



FOR MORE INFORMATION CALL 1-888-926-1365

Superior Specialty Supply • 9 Council Drive • PO Box 417 • Woodsboro, MD 21798 • www.sssupply.com

SUBMITTAL: EMBASSY FIRE-FX2™ FIRE EXTINGUISHER CABINETS **Please Note! New Wall Opening Dimensions** PAGE 2 OF 2



5734S21FX2
Stainless Steel

FOR APPLICABLE RESTRICTIONS, SEE THE FIRE-FX2™ INSTALLATION INSTRUCTIONS PROVIDED WITH THE PRODUCT
INSTALLATION INSTRUCTIONS FOR KNOCK-OUTS CAN BE FOUND ON OUR WEBSITE AT:

[Valve & Hose FX Installation](#)

TRIM & DOOR MATERIAL & SERIES										TUB I.D. in Inches			DOOR O.D.		FX Wall Opening New Dimensions Please Note			RECOMMENDED HOSE, RACK & EXTINGUISHER
QTY	STEEL	QTY	ALUMI- NUM	QTY	STAIN LESS	QTY	US10 BRONZE	QTY	US 3 BRASS	A	B	C	E	F	W	H	D	
FIRE EXTINGUISHER CABINETS																		
	5614FX2		5624FX2		5634FX2		5644FX2		5654FX2	10-1/2"	24"	5-3/4"	13-3/4"	27-1/4"	12-13/16"	26 5/16"	6 15/16"	Cosmic & Galaxy 2.5-10E, Sentinel 5, Mercury 2.5-5
	5714FX2		5724FX2		5734FX2		5744FX2		5754FX2	16"	32"	7-3/4"	19-1/4"	35-1/4"	18 5/16"	34 5/16"	8 15/16"	Any **Cosmic, **Galaxy, Mercury, Saturn or Grenadier P, Sentinel 5-15, 272
FIRE DEPARTMENT VALVE, HOSE & EXTINGUISHER CABINETS																		
	5514FX2		5524FX2		5534FX2		5544FX2		5554FX2	18"	18"	7-3/4"	21-1/4"	21-1/4"	20 5/16"	20 5/16"	8 15/16"	1-1/2" or 2-1/2" Fire Department Valve
	5814FX2		5824FX2		5834FX2	—	—	—	—	32"	32"	7-3/4"	35-1/4"	35-1/4"	34 5/16"	34 5/16"	8 15/16"	1-1/2" or 2-1/2" Rack Unit and 2-1/2" Fire Department Valve or Extinguisher.
	5914FX2		5924FX2		5934FX2		5944FX2		5954FX2	16"	40"	8-3/4"	19-1/4"	43-1/4"	18 5/16"	42 5/16"	9 15/16"	2-1/2" Fire Department Valve & Fire Extinguisher. Any Cosmic, Galaxy, Mercury, Saturn or Grenadier P, Sentinel 5 & 10. Shelf located 12" Above Bottom. Available without shelf to allow for lower mounting height of valves.

**Cosmic & Galaxy 20 must be mounted on the back of the cabinet tub.

ADA Cabinet Mounting Height: Standard Pull on W or L 22 Door Styles with Saf-T-Lok are 3 5/8" Higher than Door Center, so Allow for that When Mounting Cabinet. Standard Pull with No Lock are Centered on Door



FOR MORE INFORMATION CALL 1-888-926-1365

Superior Specialty Supply • 9 Council Drive • PO Box 417 • Woodsboro, MD 21798 • www.sssupply.com