

**SUBMITTAL: RHG-STH™ - GALVANIZED ROOF HATCH WITH SAFETY RAIL**

The Model RHG Series with an integrated safety railing provides a complete solution in a single unit. JL roof hatches are weather resistant, insulated and easy to operate. Hatches are easily installed over roof opening and are secured from base flange to roof deck. Helps you to meet OSHA 1910.23 for Guarding of Openings and 1910.27 for 42" Vertical Grab Bars.

**RHG ROOF HATCH**

**Curb:** 14 ga. galvanized steel. 12" high curb with 3-5/8" wide flange including holes for securing to roof deck. (Curb includes integral counter flashing)

**Cover:** 14 ga. galvanized steel., with 22 ga. galvanized steel liner. Hinged on the "width" side.

**Finish:** Gray hammertone powder coat.

**Door Seal:** EPDM continuous hatch seal.

**Insulation:** 1" fiberboard insulation surrounding base. 1" mineral wool insulation between exterior door and liner.

**Hardware:** Heavy duty zinc-coated hinge and pin. Fastening hardware is zinc-coated.

**Linkage:** Heavy gauge automatic hold open arm with red vinyl grip for opening and closing.

**Closure:** Compression operated, shock absorbing cylinder.

**Latch:** Exterior handle, inside locking handle with interior and exterior padlock hasp.



**SAF-T-HATCH RAIL: STH™**

**Certifications:** Rail meets OSHA-required compliance for safe egress and ingress through rooftop hatch openings while hatch is in use. Complies with OSHA CFR 29-1910.232 and CFR 29-1910.27.

**Construction:** Rail is 1-5/8" OD A53 grade B seamed galvanized steel with zinc-plated post caps. Rail support brackets are welded to the curb. Posts are mechanically-secured to the brackets.

**Hardware:** Safety chain is zinc-plated 3/16" ASTM chain with quick links and hoops.

**Finish:** Durable Safety Yellow powder coat finish.


**OPTIONAL FEATURES AT ADDITIONAL COST:**

- \_\_\_ **Stainless Steel Hardware:** Hinges, exterior handle, inside locking handle.
- \_\_\_ **Energy Efficient Polyisocyanurate Insulation:** 1 1/2" polyiso insulation on curb (R-9.6), 3/4" polyiso in cover (R5)
- \_\_\_ Optional colors: \_\_\_ **WH** White Hammertone \_\_\_ **RH** Red Hammertone
- \_\_\_ **LP-4, LP-5, LP-6,** Ladder Posts (see separate submittals for more information)
- \_\_\_ Rigid galvanized Steel Self-closing Gate **STHD.**



**OPTIONAL STHG RIGID GATE**

QTY	MODEL	CURB OPENING		APPROX SHIPPING WEIGHT
		Width	Length	
	RHG-1-STH	2' 6"	3' 0"	216 lbs
	RHG-2-STH	4' 6"	2' 6"	280 lbs
	RHG-3-STH	8'	2' 6"	497 lbs
	RHG-4-STH	3' 0"	3' 0"	253 lbs
	RHG-5-STH	4' 0"	4' 0"	335 lbs

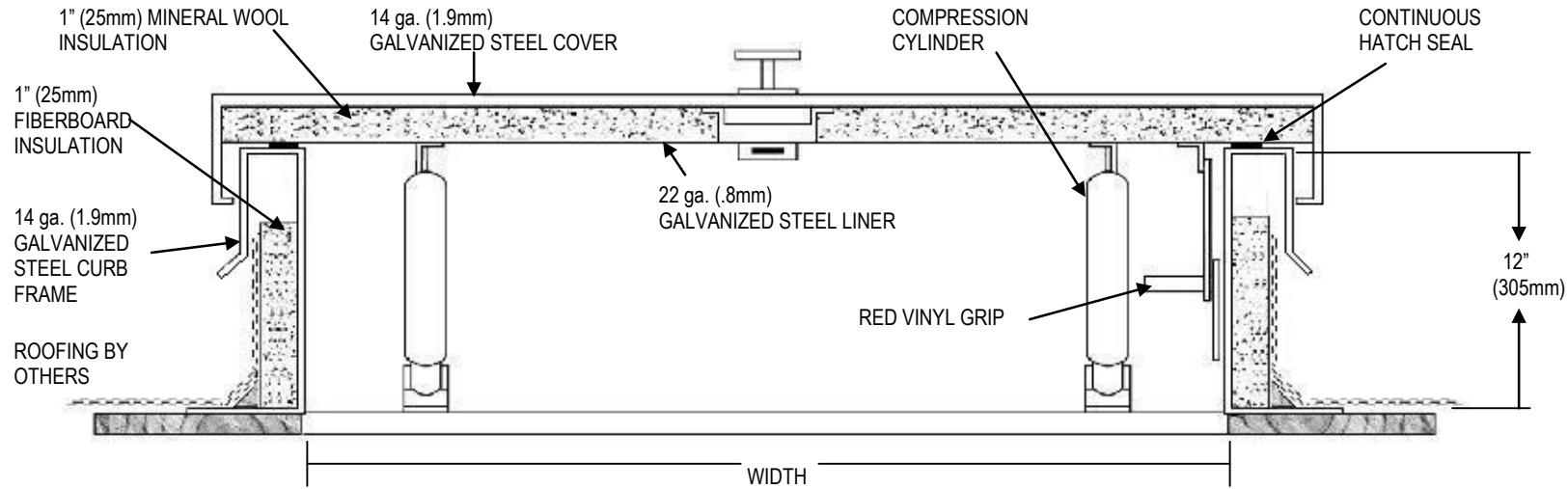
 <p><b>ACTIVAR</b> INC. <small>www.activarcpg.com</small> Construction Products Group</p> <p>RHG, RHG-STH AND SAF-T-HATCH are Trademarks of Activar DOWNLOAD CURRENT SUBMITTAL FROM WEBSITE BEFORE ORDERING</p>	Distributor:	Quantity:
	Contractor:	Approved By:
	Model #:	Architect:
	Project:	Date:
3/12/2015		



**FOR MORE INFORMATION CALL 1-888-926-1365**

**Superior Specialty Supply • 9 Council Drive • PO Box 417 • Woodsboro, MD 21798 • [www.sssupply.com](http://www.sssupply.com)**

**SUBMITTAL: RHG-STH GALVANIZED ROOF HATCH WITH SAFETY RAIL**



**RHG Certifications:** ASTM certified under specifications A792/A792M-06a, A653/A653M-06a, C726-05 and A36/A36M-05. Tested and approved to support a minimum live load of 40 lbs/sq of with a maximum deflection of 1/150th of the span, maximum negative load of 50 lbs/sq ft wind uplift and 110 mph wind load when cover is an open position.



**Rail Supports are Welded to Curb**



**FOR MORE INFORMATION CALL 1-888-926-1365**

**Superior Specialty Supply • 9 Council Drive • PO Box 417 • Woodsboro, MD 21798 • [www.sssupply.com](http://www.sssupply.com)**