

SUBMITTAL: SCHOOL FIRE EXTINGUISHER CABINETS

JL School Cabinets for fire extinguishers are constructed of heavy duty materials for rough duty applications. Recessed and Semi-Recessed models are ADAC-compliant.

Door & Trim Construction: 12 gauge steel door with white powder-coat paint finish. Flush cabinet doors are mounted in a 5/8" door stop and attached by a heavy-duty continuous hinge and equipped with a zinc-plated handle and roller catch. Door has tempered glass front and 1-1/2" face trim.

Tub: 16 gauge steel with white powder coat primer finish. Heavy duty masonry anchors welded to frame on all recessed cabinets.

Trim Style & Depth: *Recessed* - 1" wide flat trim. *Semi-Recessed* - 2-1/2" square edge, *Surface-Mount* - square edge.




CS2015F17

OPTIONS AT ADDITIONAL COST:

- (0710) Flush Cup Pull [Link to Pulls](#)
- (PUF) Futura "Fire" Handle [Link to Lettering](#)
- Red Powder Coat Finish
- Black Powder Coat Finish
- Red F.E. Lettering Vertical Horizontal
- White F.E. Lettering Vertical Horizontal
- Black F.E. Lettering Vertical Horizontal
- (G) Full Glass with Glazing & Saf-T-Lok™
Glazing: Tempered Polycarbonate
- (D) Horizontal Duo Panel Door with Glazing
Glazing: Tempered Polycarbonate
- (V) Vertical Duo Panel Door with Tempered Glazing
Glazing: Tempered Polycarbonate
- (S21) Solid Door (Sub for F17)
- (L22) Solid Door with Saf-T-Lok™ (Sub for F17)
- (G17) Full Glass with Tempered Glazing & Saf-T-Lok™ (Sub for F17
Saf-T-Lok™ (Appears locked, but, cabinet can be opened with sharp pull)

QTY	TRIM & DOOR MATERIAL & SERIES		TUB I.D. W x H x D in Inches			FRAME O.D. W x H in Inches		WALL OPENING in Inches			SHIP WT*	RECOMMENDED EXTINGUISHER
	STEEL	TRIM STYLE	A	B	C	E	F	W	H	D	LBS	Link to Extinguishers
	CS2015F17	Flat Trim	12	27	7-3/4	14	29	13	28	8	33	Any Cosmic , Galaxy Mercury, Saturn or Grenadier P, Sentinel 5,10
	CS2017F17	2-1/2" Square Edge	12	27	7-3/4	14	29	13	28	5-1/2	34	
	CS2013F17	Surface-Mount	14-3/8	29-3/8	7 7/8	14-1/2	29-1/2	---	---	---	34	

* Weights are approximate

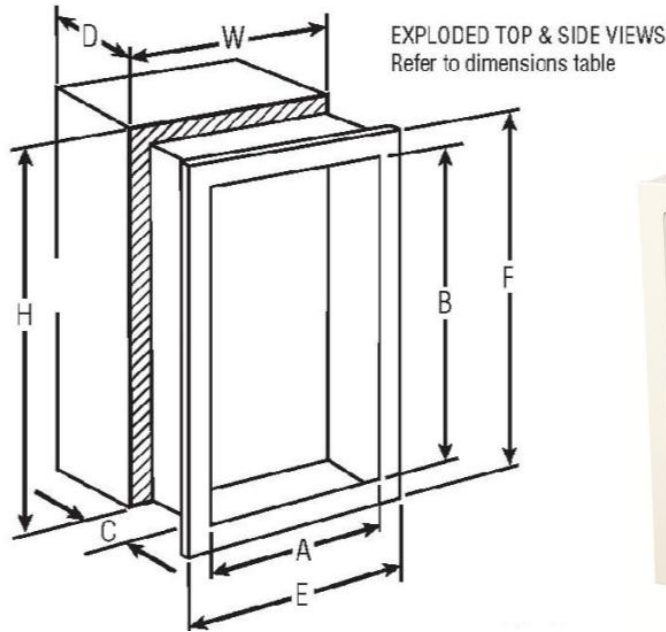
 ACTIVAR INC. <small>www.activarcpg.com</small> Construction Products Group	Distributor:	Quantity:	Specify Options Above
	Contractor:	Approved By:	
	Model #:	Architect:	
	Project:	Date:	
7/26/13			



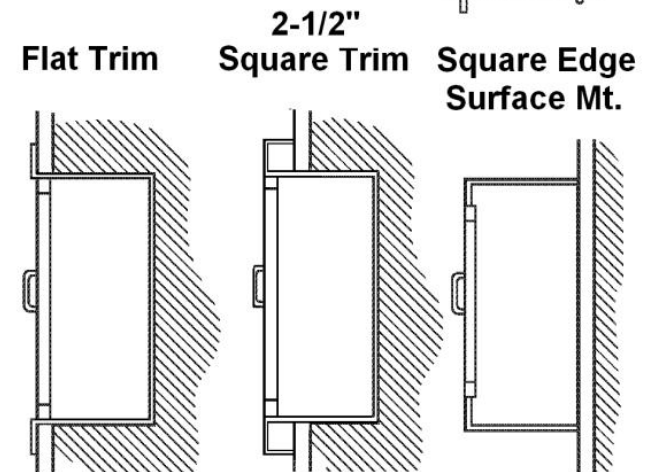
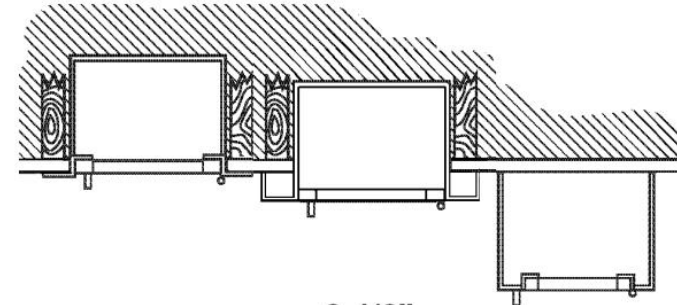
FOR MORE INFORMATION CALL 1-888-926-1365

Superior Specialty Supply • 9 Council Drive • PO Box 417 • Woodsboro, MD 21798 • www.sssupply.com

SUBMITTAL: SCHOOL FIRE EXTINGUISHER CABINETS



CS2013F17



JL INDUSTRIES

ACTIVAR
INC.

www.activarcpg.com

Construction Products Group

**SCHOOL
FIRE EXTINGUISHER CABINETS**



FOR MORE INFORMATION CALL 1-888-926-1365

Superior Specialty Supply • 9 Council Drive • PO Box 417 • Woodsboro, MD 21798 • www.sssupply.com