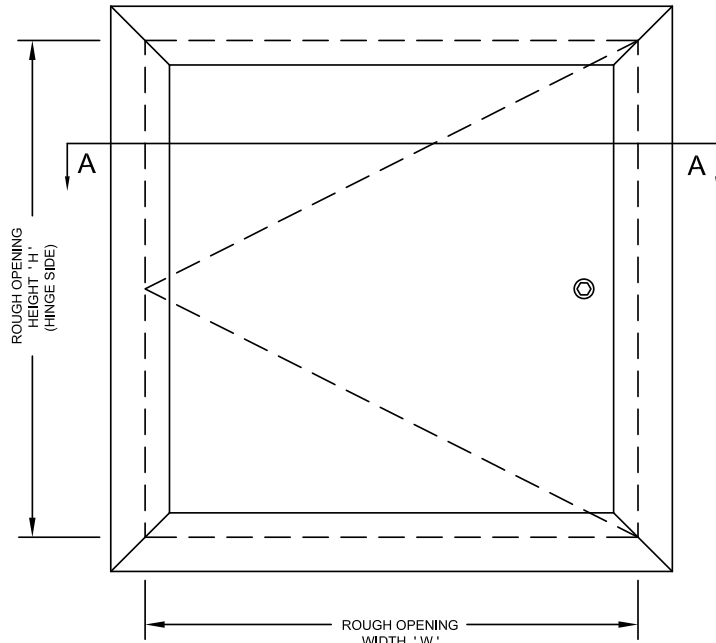




VAN-MET® MODEL FAI-250
THREE HOUR FIRE-RATED ACCESS DOOR
 Insulated for Ceiling Application

Ceiling mounted, upward opening. Three hour Fire Rating.

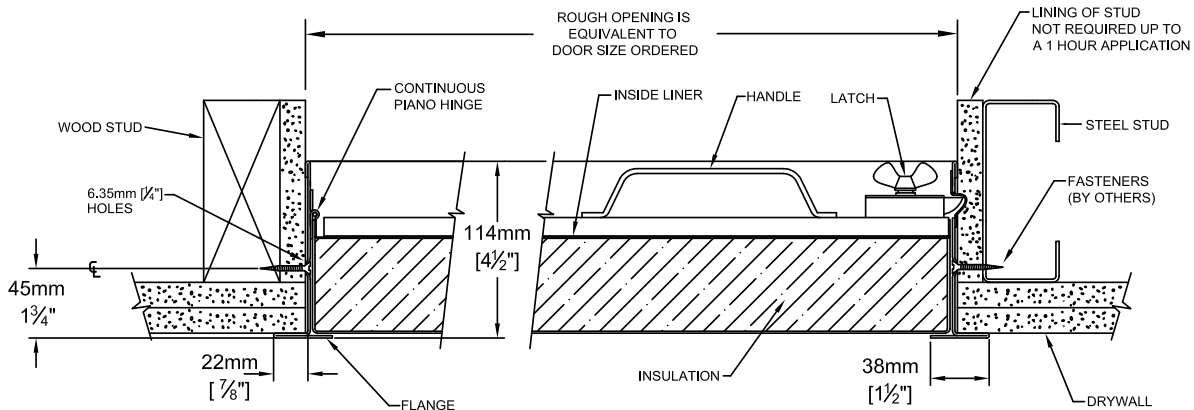


FRONT ELEVATION

STANDARD CONSTRUCTION:

- MATERIAL** - SATIN FINISH GALVANIZED (GALVANNEALED) STEEL.
- PANEL** - 1.31mm [18 ga.], SELF CLOSING c/w INSIDE LIFTING HANDLE.
- LINER** - 0.85mm [22ga.]
- FRAME** - 1.61mm [16 ga.]
- FLANGE** - 22mm [$\frac{7}{8}$ "] EXTERIOR FLANGE.
- 38mm [$1\frac{1}{2}$ "] OVERALL WIDTH.
- HINGE** - CONTINUOUS PIANO HINGE.
- LATCH** - $\frac{1}{4}$ " ALLEN KEY, WITH INTERIOR RELEASE.
- INSULATION** - 63mm [$2\frac{1}{2}$ "] HIGH TEMPERATURE
- FINISH** - RUST INHIBITIVE PRIME COAT (OFF-WHITE).

* Specifications subject to change without notice.



SECTION A-A

PROJECT: _____

CONTRACTOR: _____

ARCH. OR ENG.: _____

DATE: _____

These drawings are the property of Maxam Metal Products Ltd. and Incorporates Information which is proprietary. Publication and/or public distribution in whole or in part is expressly prohibited without the prior written consent of Maxam Metal Products Ltd. The Information herein remains the property of Maxam Metal Products Ltd. All rights reserved.

DWN BY KB	DATE Feb. / 2014	DWG. NO. Sheet 1 of 3	REV.
--------------	---------------------	--------------------------	----------



FOR MORE INFORMATION CALL 1-888-926-1365
 Superior Specialty Supply • 9 Council Drive • PO Box 417 • Woodsboro, MD 21798 • www.sssupply.com



VAN-MET® MODEL FAI-250
THREE HOUR FIRE-RATED ACCESS DOOR
 Insulated for Ceiling Application

OPTIONS: * - DENOTES ADDITIONAL COST.

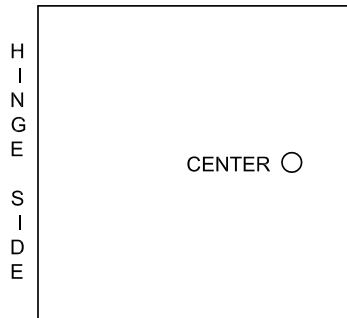
MATERIAL :-

- STANDARD MATERIAL - GALVANNEALED STEEL, SEE SHEET 1 OF 3.
- * - OPTIONAL MATERIAL - 304 STAINLESS STEEL WITH A NO. 4 POLISHED FINISH ON THE EXTERIOR SURFACE.
- * - MASONRY ANCHORS ATTACHED.

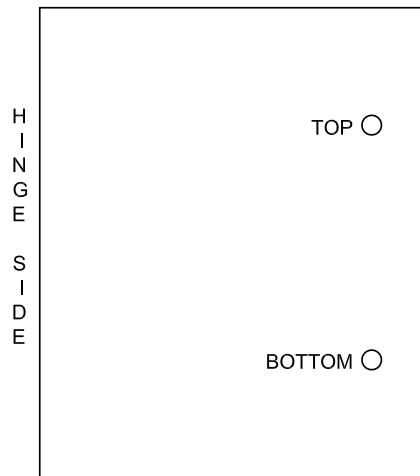
HARDWARE :-

- STANDARD HARDWARE - ¼" ALLEN KEY, SEE SHEET 1 OF 3.
- OPTIONAL HARDWARE

ONE LATCH



TWO LATCHES



CENTER LATCH

TOP LATCH

BOTTOM LATCH

- | | | |
|---|---|---|
| <input type="checkbox"/> - ALLEN KEY | <input type="checkbox"/> - ALLEN KEY | <input type="checkbox"/> - ALLEN KEY |
| <input type="checkbox"/> - RAISED KNURLED KNOB. | <input type="checkbox"/> - RAISED KNURLED KNOB. | <input type="checkbox"/> - RAISED KNURLED KNOB. |
| * <input type="checkbox"/> - NON-LOCKING HANDLE. | * <input type="checkbox"/> - NON-LOCKING HANDLE. | * <input type="checkbox"/> - NON-LOCKING HANDLE. |
| * <input type="checkbox"/> - 1½" MORTISE PREP ONLY. | * <input type="checkbox"/> - 1½" MORTISE PREP ONLY. | * <input type="checkbox"/> - 1½" MORTISE PREP ONLY. |
| * <input type="checkbox"/> - 1½" MORTISE PREP COMPLETE WITH MORTISE CYLINDER. | * <input type="checkbox"/> - 1½" MORTISE PREP COMPLETE WITH MORTISE CYLINDER. | * <input type="checkbox"/> - 1½" MORTISE PREP COMPLETE WITH MORTISE CYLINDER. |

PROJECT: _____

PURCHASE ORDER: _____

CONTRACTOR: _____

APPROVED BY: _____

ARCH. OR ENG.: _____

DATE: _____

DWN BY KB	DATE Feb. / 2014	DWG. NO. Sheet 3 of 3	REV. 0
--------------	---------------------	--------------------------	-----------



FOR MORE INFORMATION CALL 1-888-926-1365
 Superior Specialty Supply • 9 Council Drive • PO Box 417 • Woodsboro, MD 21798 • www.sssupply.com