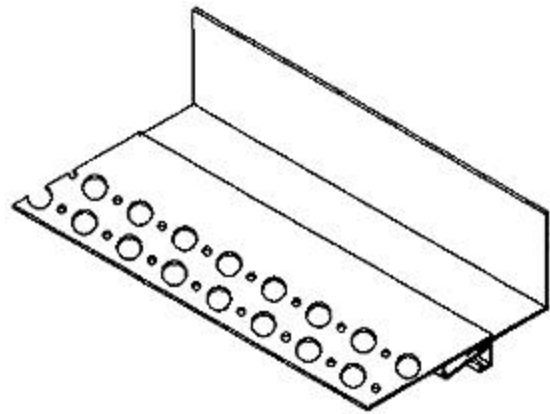


# Stucco and Plaster

## Bridge Screed/Reveal

Product #	Ground	Dimensions/Descriptions	Pieces/Box
520-38	3/8"	Bridge screed - reveal adjusts from 1" to 1-1/4".	20
520-50	1/2"		20
520-58	5/8"		20
520-75	3/4"		20
520-78	7/8"		20
10' Lengths			

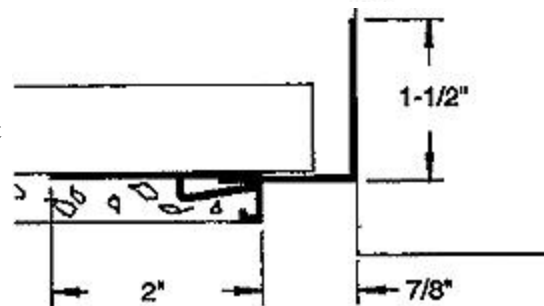


### Application:

Acts as a bridge to form a gap between a horizontal and vertical wall. The stop bead portion stops the stucco while the angled insert butts up to vertical wall.

### Specification:

Bridge Reveal shall be Plastic Components, Inc. # \_\_\_\_\_. All exterior accessories shall be of PVC material conforming to ASTM standards D1784-92 and C1063-94. They shall be used where specified by the architect and installed per industry standards and manufacturers instructions.



Caulk all butt joints, intersections and ends.

It is recommended that PVC products be used for all exterior exposures.

