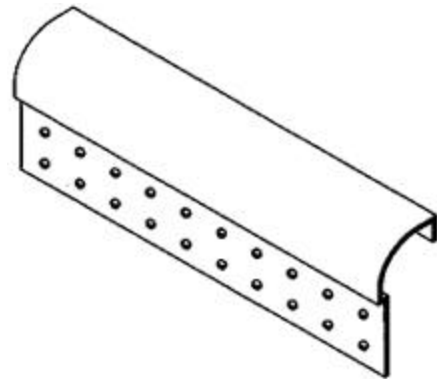


Drywall Accessories

Half Round Bullnose

Product #	Dimensions/Descriptions	Pieces/Box
207-50	3/4" half round bullnose.	50
207-58		50
10' Lengths		

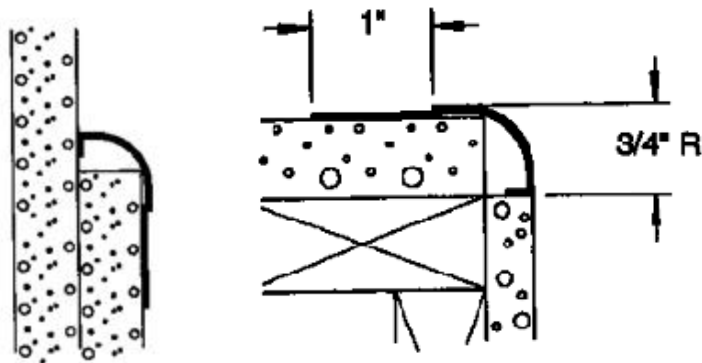
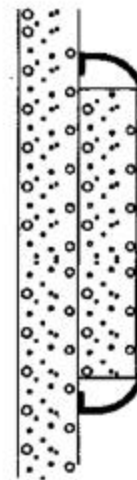


● Application: 207

Used for termination when a window or door casing trim is eliminated. Can also be used where extra layers of drywall are being used for decorative purposes. Trim is to be installed after installation of board.

● Specification:

Half Round Bullnose shall be Plastic Components, Inc. # _____. All drywall accessories shall conform to ASTM standards D3678-92 and C1047-94. Finish compatible with drywall mud and all paint finishes. They shall be used where specified by the architect and installed per industry standards and manufacturer's instructions.



It is recommended that PVC products be used for all interior applications.

