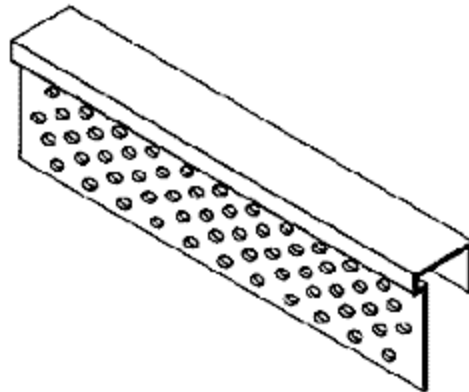


Drywall Accessories

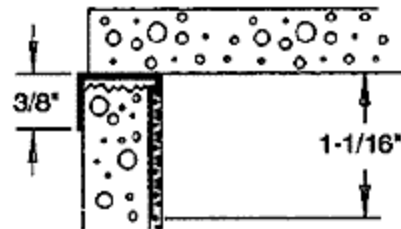
Fillable "J" Bead

Product #	Dimensions/Descriptions	Pieces/Box
201-50	Fillable "J" bead, 1-1/16" perforated flange.	50
201-58		50
201-78		50
10' Lengths		



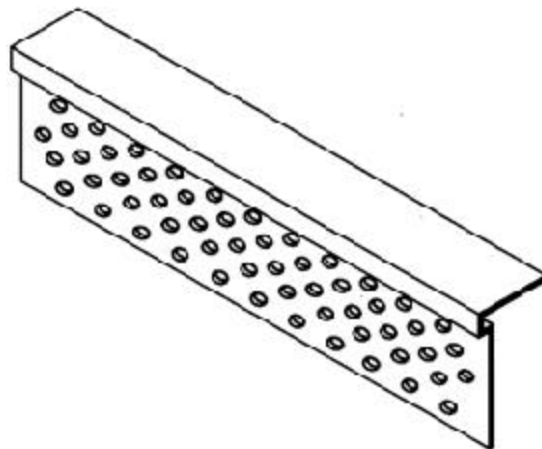
● Application: 201

Used to encase raw edges of drywall, preventing moisture from migrating into board. Wide perforated flange allows topping to key to board and eliminating need to tape the flange.



Fillable "L" Bead

Product #	Dimensions/Descriptions	Pieces/Box
221-50	Fillable "L" bead, 1-1/16" perforated flange.	50
221-58		50
10' Lengths		



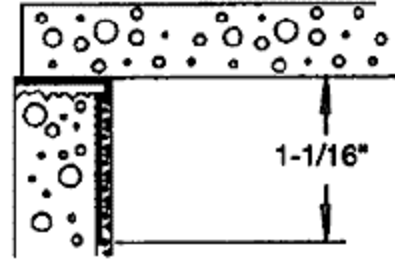
● Application: 221

Used to create a clean detail at any point of termination of drywall into windows or doors. Wide flange allows for positioning of trim to cover any uneven edges in sheathing

material. Perforated flange allows topping to key to drywall, eliminating need to tape the flange.

● Specification:

Fillable "J" or "L" Bead shall be Plastic Components, Inc. # _____. All drywall accessories shall conform to ASTM standards D3678-92 and C1047-94. Finish compatible with drywall mud and all paint finishes. Shall be used where specified by the architect and installed per industry standards and manufacturer's instructions.



It is recommended that PVC products be used for all interior applications.

