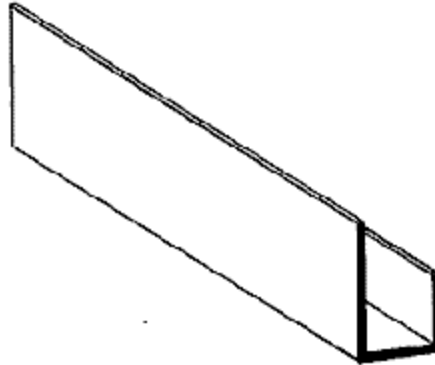


Drywall Accessories

"J" Bead

Product #	Dimensions/Descriptions	Pieces/Box
200X-2	Drywall casing bead has tapered face return. Back flange 1-3/16", front return 1/2".	75
200X-38		50
200X-50		50
200X-58		50
200X-75		50
8' & 10' Lengths		

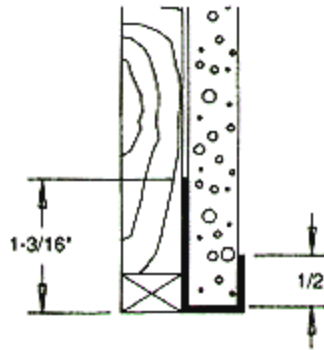


● Application: 200X

An edge trim for capping vertical and horizontal edges of raw gypsum board. Protects moisture from weeping into board. Will not rust. Prevents electrolysis.

● Specification:

"J" Bead shall be Plastic Components, Inc. # _____. All drywall accessories shall conform to ASTM standards D3678-92 and C1047-94. Finish compatible with drywall mud and all paint finishes. They shall be used where specified by the architect and installed per industry standards and manufacturer's instructions.



It is recommended that PVC products be used for all interior applications.

