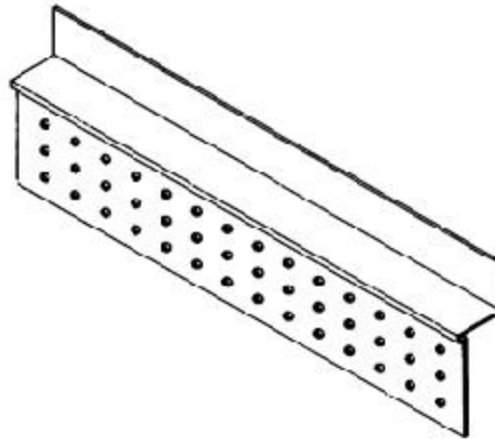


Drywall Accessories

Shadow Mould / "Z" Mould

Product #	Dimension A	Dimension B	Pieces/Box
202	1/2"	1/2" or more	50
203	3/4"	1/2" or more	50
204	1"	1/2" or more	50
10' Lengths Can be used with either 1/2" or 5/8" sheathing.			

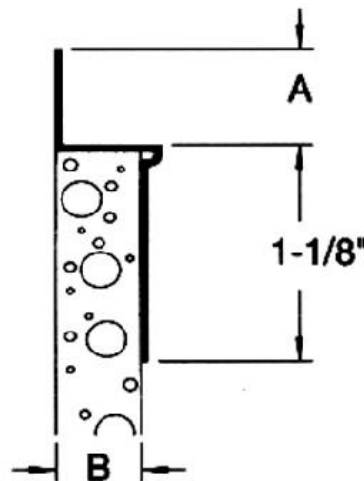


Application:

Provides a reveal or relief detail around windows, doors and wall to ceiling junctions. Can be used in either vertical or horizontal position.

Specification:

Drywall Shadow Mould / "Z" Mould shall be Plastic Components, Inc. # _____. All drywall accessories shall conform to ASTM standards D3678-92 and C1047-94. Finish compatible with drywall mud and all paint finishes. They shall be used where specified by the architect and installed per industry standards and manufacturer's instructions.



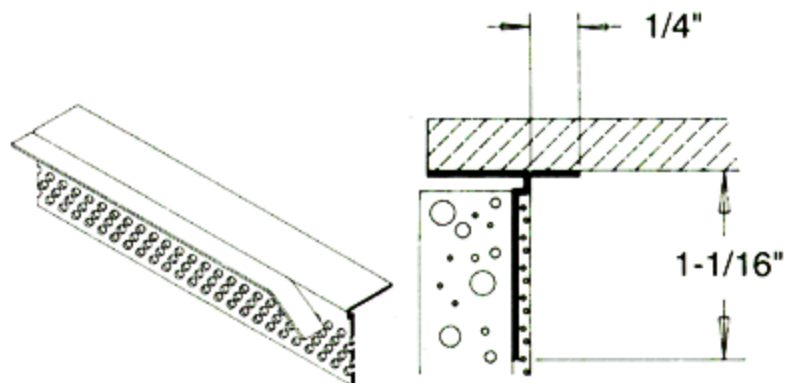
Trim Tab

Application: 224

To be used where a wall joins a suspended ceiling, window or door frame. Tear away tab eliminates the need for costly masking and provides a clean detail. 10' Lengths - 50 pieces per box.

Specification:

Trim Tab shall be Plastic Components, Inc. #224. All drywall accessories shall conform to ASTM standards D3678-92 and C1047-94. Finish compatible with drywall mud and all paint finishes. They shall be used where



specified by the architect and installed per industry standards and manufacturer's instructions.

It is recommended that PVC products be used for all interior applications.

