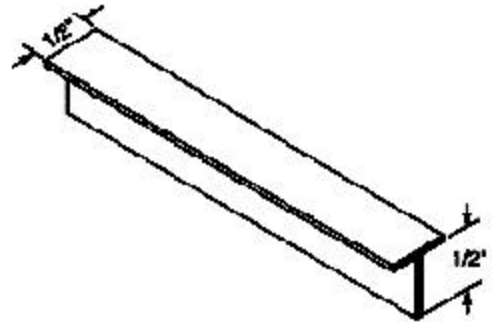


# Drywall Accessories

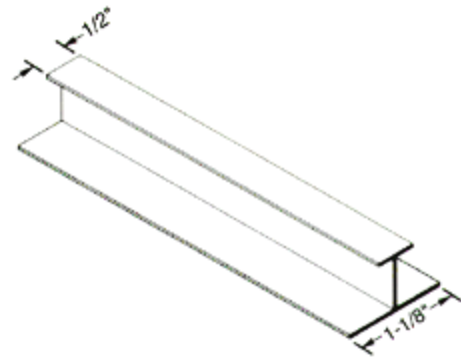
## "T" Moulding

Product #	Dimensions/Descriptions	Pieces/Box
231	"T" mould. Can be used at any point where a trim piece is needed to finish two adjoining surfaces.	100
10' Lengths		



## "H" Moulding

Product #	Dimensions/Descriptions	Pieces/Box
232-50	"H" mould. May be laminated with vinyl wall covering and used for connecting pre-finished panels.	50
232-58		50
10' Lengths		



It is recommended that PVC products be used for all interior applications.

