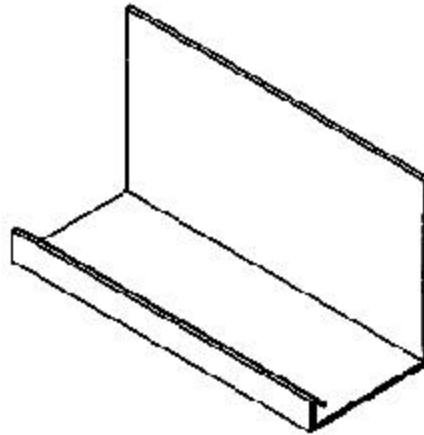


Exterior Insulated Finishes

Casing Bead 25

Product #	Dimension "A"	Dimension "B"	Pieces/Box
CB-75-25	3/4"	1/4"	60
CB-1-25	1"	1/4"	50
CB-15-25	1-1/2"	1/4"	40
CB-2-25	2"	1/4"	40
10' Lengths			

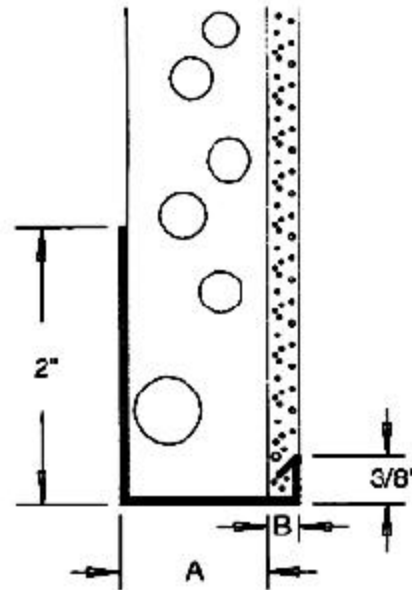


Application:

A high impact and rust proof starter track or casing bead for "hard coat" insulated systems. Serves as a shelf for the EPS board to sit in. Design allows for 1/4" modified stucco and lathing material to terminate and maintain a clean, straight edge.

Specification:

Starter Strip/Casing Bead shall be Plastic Components, Inc. # _____. All exterior accessories shall conform to ASTM standards D1784-92 and C1063-94. They shall be used where specified by the architect and installed per industry standards and manufacturer's instructions.



Caulk all butt joints, intersections and ends.
It is recommended that PVC products be used for all exterior exposures.

