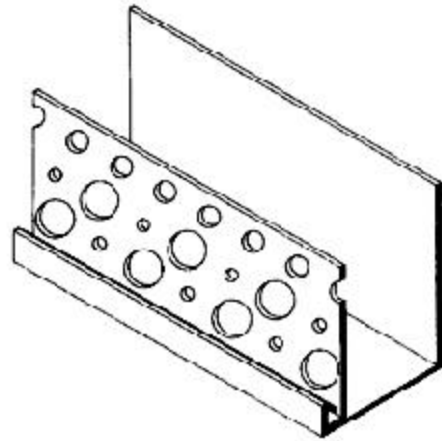


# Exterior Insulated Finishes

## Starter Strip / Casing Bead

Product #	Dimension "A"	Dimension "B"	Pieces/Box
SC-1-25	1"	1/4"	50
SC-15-25	1-1/2"	1/4"	40
SC-2-25	2"	1/4"	30
-----			
SC-1-38	1"	3/8"	50
SC-15-38	1-1/2"	3/8"	40
SC-2-38	2"	3/8"	30
10' Lengths			

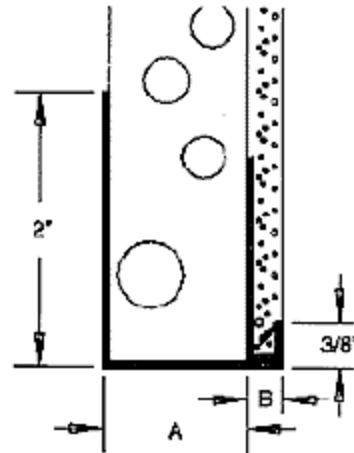


### Application:

Two piece starter strip locks into the finish. Protects EPS from damage at critical areas, gives positive protection. Eliminates back wrapping and finish of hard-to-reach areas. Can also be used as casing bead in high impact areas.

### Specification:

Starter Strip/Casing Bead shall be Plastic Components, Inc. # \_\_\_\_\_. All exterior accessories shall conform to ASTM standards D1784-92 and C1063-94. They shall be used where specified by the architect and installed per industry standards and manufacturer's instructions.



Caulk all butt joints, intersections and ends.  
It is recommended that PVC products be used for all exterior exposures.

