

Exterior Insulated Finishes

Starter Strip

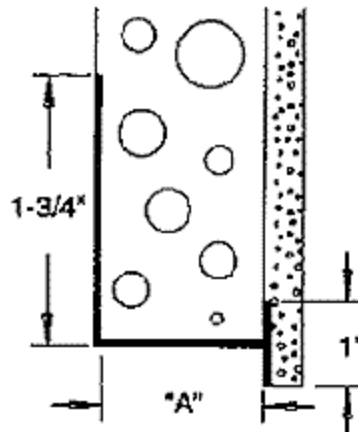
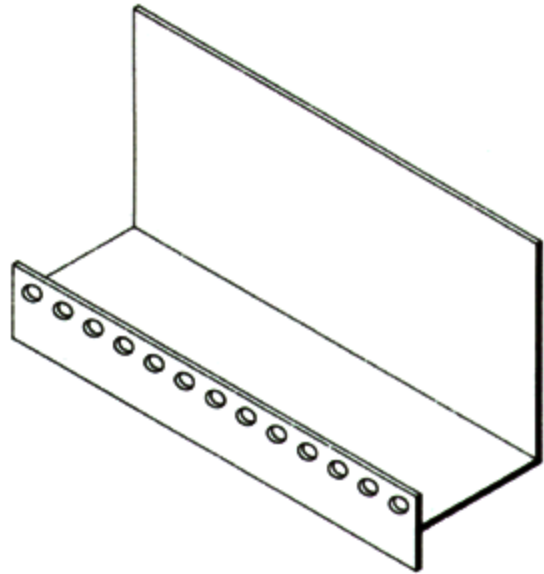
Product #	Dimension "A"	Pieces/Box
CB-75-16L	3/4"	40
CB-1-16L	1"	40
CB-15-16L	1-1/2"	35
CB-2-16L	2"	30
10'Lengths		

Application:

Acts as a casing bead for the EPS board to sit in. Extended leg serves as a drip edge. Provides straight lines. Flange perforations allow ground coat to bond with the EPS board.

Specification:

Starter Strip shall be Plastic Components, Inc. # _____. All exterior accessories shall conform to ASTM standards D1784-92 and C1063-94. They shall be used where specified by the architect and installed per industry standards and manufacturer's instructions.



Caulk all butt joints, intersections and ends.
It is recommended that PVC products be used for all exterior exposures.

