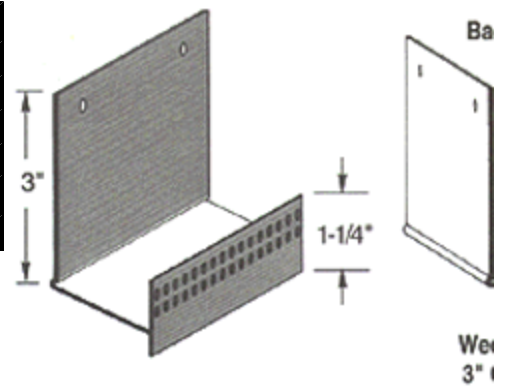


# Exterior Insulated Finishes

## STARTER TRAC® Drip Edge

Product#	Pieces/Box	Product#	Pieces/Box	Product#	Pieces/Box
STDE-50	35	STDE-15	20	STDE-2.75	10
STDE-58	35	STDE-1.75	15	STDE-3	10
STDE-75	30	STDE-2	15	STDE-35	10
STDE-1	25	STDE-2.25	15	STDE-4	10
STDE-1.25	20	STDE-25	15		
10' Lengths					



### ● Application:

Starter Trac® with drip edge. Face return flange is 1-1/4" with striations which provide a strong physical bond for the base coat and perforations for bonding of the base to the substrate. Extra wide 3" nailing flange has striations on inside face to aid bonding of foam board to nailing flange. Base shelf has weep holes 3" O.C. to allow migration of water from system.

### ● Specification ST/STDE:

Starter Trac® /Casing Bead shall be Plastic Components, Inc. # \_\_\_\_\_. All exterior accessories shall conform to ASTM standards D1784-92 and C1063-94. They shall be used where specified by the architect and installed per industry standards and/or manufacturer's instructions.

Caulk all butt joints, intersections and ends.

It is recommended that PVC products be used for all exterior exposures.