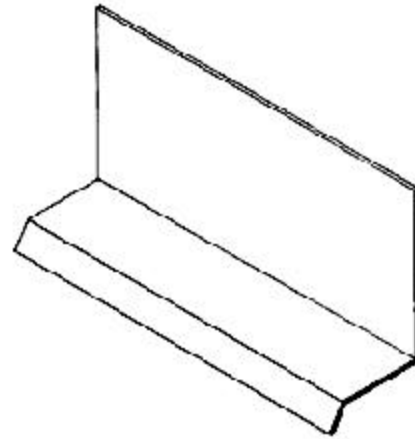


Exterior Insulated Finishes

Window / Door Drip Edge

Product #	Dimension "A"	Dimension "B"	Pieces/Box
SB-75	3/4"	1/16"	100
SB-1	1"	1/16"	100
SB-15	1-1/2"	1/16"	80
SB-2	2"	1/16"	75
SB-1-25X	1"	1/4"	70
10' Lengths			

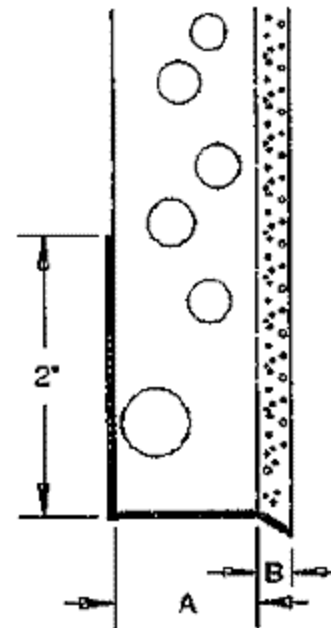


Application:

Window or door drip edge. Sloped front edge allows moisture to shed down surface and not enter into the framing.

Specification:

Window/Door Drip Edge shall be Plastic Components, Inc. # _____. All exterior accessories shall conform to ASTM standards D1784-92 and C1063-94. They shall be used where specified by the architect and installed per industry standards and manufacturer's instructions.



Caulk all butt joints, intersections and ends.
It is recommended that PVC products be used for all exterior exposures.

