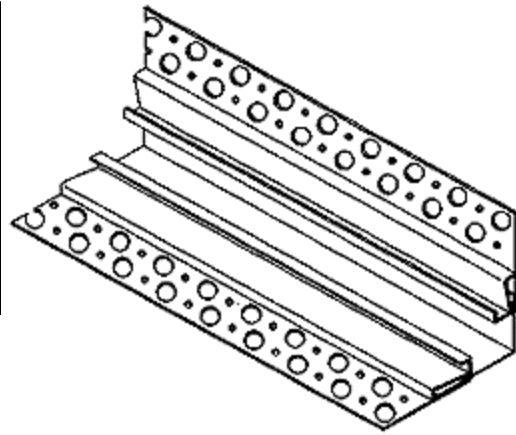


Stucco and Plaster

Inside Corner Slip Joint

Product #	Ground	Dimensions/Descriptions	Pieces/Box
511-38	3/8"	Three piece inside corner slip joint. Adjusts from 3/4" to 1 - 1/4".	15
511-50	1/2"		15
511-58	5/8"		15
511-75	3/4"		15
511-78	7/8"		12
10' Lengths			

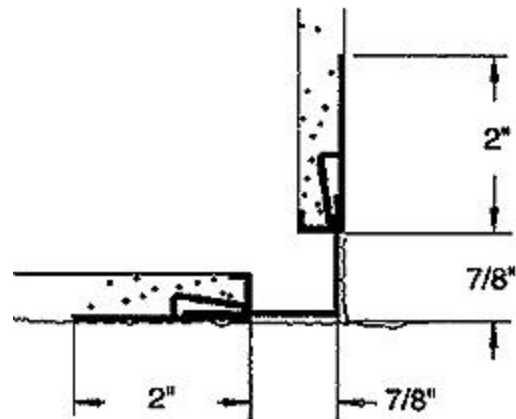


Application:

Designed to form a plastered inside corner and absorb movement of two 90° connecting walls.

Specification:

The Inside Corner Slip Joint shall be Plastic Components, Inc. # _____. All exterior accessories shall be of PVC material conforming to ASTM standards D1784-92 and C1063-94. They shall be used where specified by the architect and installed per industry standards and manufacturer's instructions.



Caulk all butt joints, intersections and ends.
It is recommended that PVC products be used for all exterior exposures.

