

Direct Applied Finishes

Casing Bead / Starter Trac

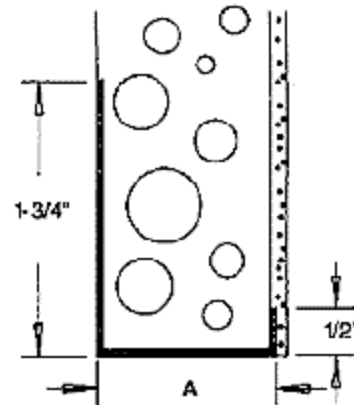
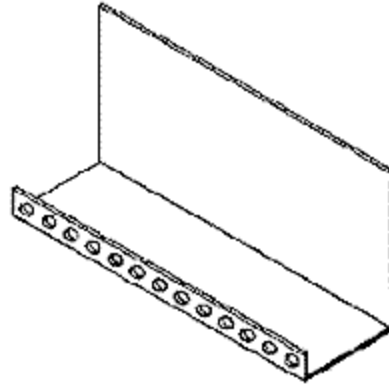
Product #	Product Size	Pieces/Box
CB-50-16	1/2"	60
CB-58-16	5/8"	60
10' Lengths		

Application:

Serves as a protective edge for sheathing material at areas of termination. Eliminates the need to back wrap; provides a clean starting detail. Excellent caulk and paint adhesion, holes on return flange allow for base coat to bond to surface of substrate.

Specification:

Casing Bead/Starter Trac shall be Plastic Components, Inc. # _____. All exterior accessories shall conform to ASTM standards D1784-92 and C1063-94. They shall be used where specified by the architect and installed per industry standards and manufacturer's instructions.



Caulk all butt joints, intersections and ends.
It is recommended that PVC products be used for all exterior exposures.

