

# Direct Applied Finishes

## Soffit Drip Screed

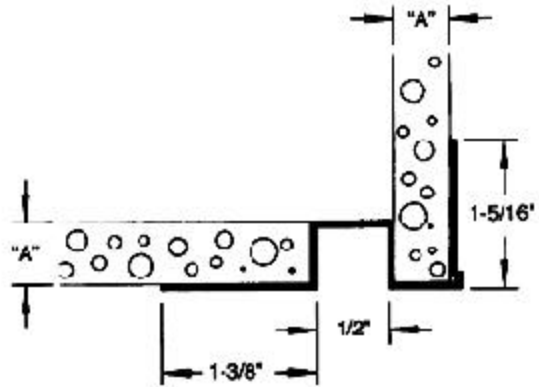
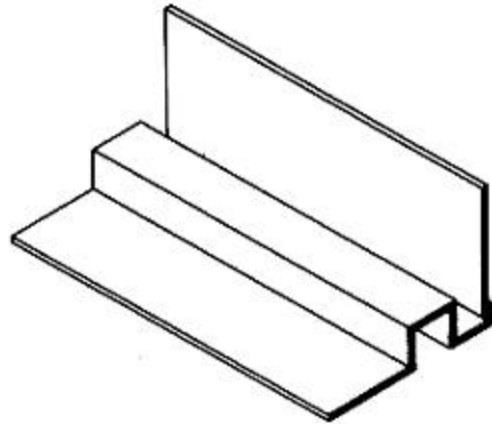
Product #	Dimension "A"	Pieces/Box
2254-50	1/2"	25
2254-58	5/8"	25
10'Lengths		

### Application:

Designed as a soffit drip screed. Provides a 1/2" reveal detail. Prevents water from running down fascia and back into the soffit area. Surface areas have striations that provide positive bonding of base coat to profile detail. Has 1/8" stops to assure proper thickness of base and finish.

### Specification:

Soffit Drip Screed shall be Plastic Components, Inc. # \_\_\_\_\_. All exterior accessories shall conform to ASTM standards D1784-92 and C1063-94. They shall be used where specified by the architect and installed per industry standards and manufacturer's instructions.



Caulk all butt joints, intersections and ends.  
It is recommended that PVC products be used for all exterior exposures.

