

Direct Applied Finishes

Starter Trac with Drip Edge

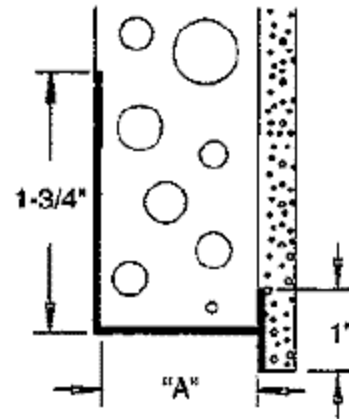
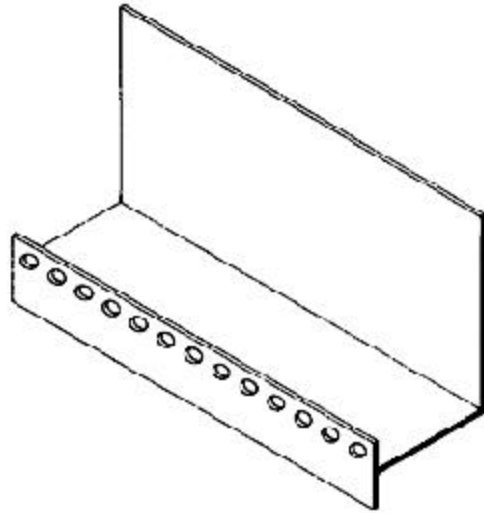
Product #	Product Size	Pieces/Box
CB-50-16L	1/2"	60
CB-58-16L	5/8"	60
10'Lengths		

● Application:

Provides a clean starting edge at the stem wall. Eliminates the need to back wrap; drip edge allows water to run down face and *not* back into the system. Excellent caulk and paint adhesion, holes on return flange allow for base coat to bond to surface of substrate.

● Specification:

Starter Trac with Drip Edge shall be Plastic Components, Inc. # _____. All exterior accessories shall conform to ASTM standards D1784-92 and C1063-94. They shall be used where specified by the architect and installed per industry standards and manufacturer's instructions.



Caulk all butt joints, intersections and ends.
It is recommended that PVC products be used for all exterior exposures.

