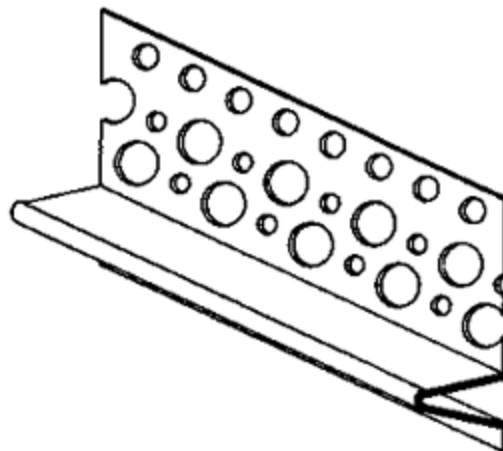


Stucco and Plaster

Foundation Sill Screeds

Product#	Ground	Dimensions/Descriptions	Pieces/Box
631-75	3/4"	FHA sill screed, 2-1/2" wide perforated flange.	70
631-78	7/8"		60
10' Lengths			

631

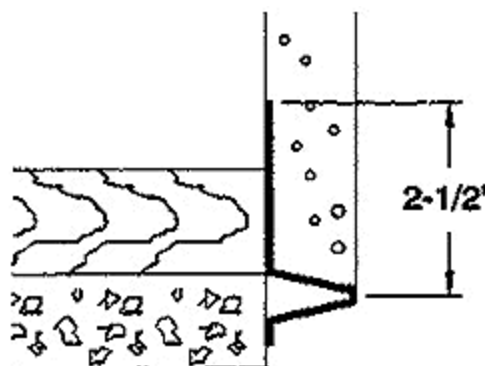


Application:

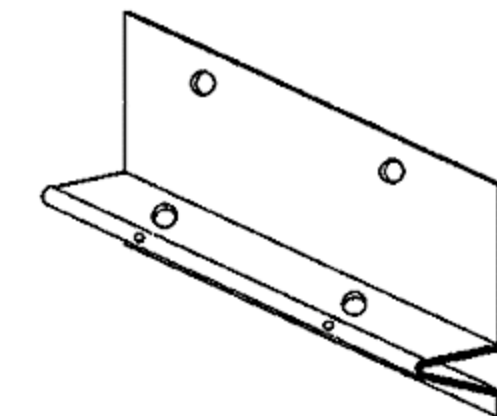
To be installed at plate line or stem wall, to provide a stucco stop. Design allows moisture to migrate down and shed away from wall.

Specification:

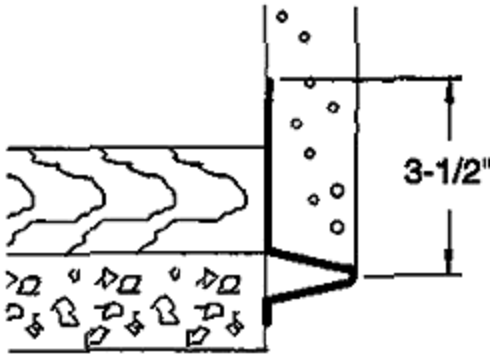
Plaster Screeds shall be Plastic Components, Inc. # _____. All exterior accessories shall be of PVC material conforming to ASTM standards D1784-92 and C1063-94. They shall be used where specified by the architect and installed per industry standards and manufacturer's instructions.



Product#	Ground	Dimensions/Descriptions	Pieces/Box
632-38	3/8"	FHA sill screed, 3-1/2" wide flange with weep holes.	70
632-75	3/4"		70
632-78	7/8"		60
10' Lengths			



632



Caulk all butt joints, intersections and ends.
It is recommended that PVC products be used for all exterior exposures.

