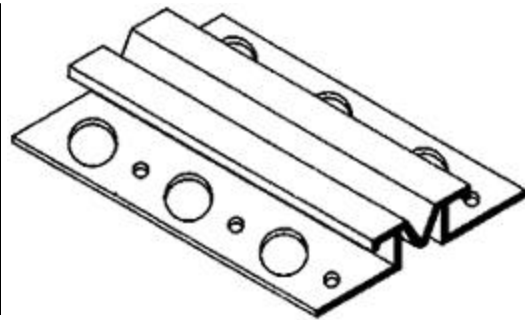


Stucco and Plaster

"M" Control Joint

Product #	Ground	Dimensions/Descriptions	Pieces/Box
2025	1/4"	"M" control joint, with removable tape, perforated flanges, 3-1/4" overall width.	50
2138XS	3/8"		50
2150X	1/2"		40
2158X	5/8"		40
2175X	3/4"		30
2178X	7/8"		30
10' Lengths			

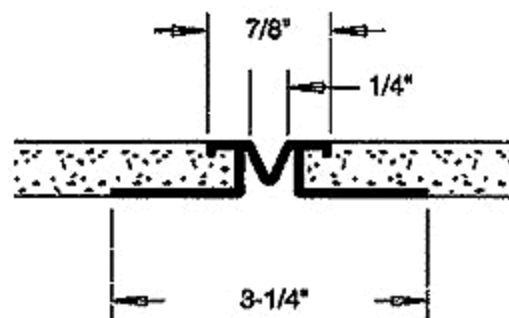


Application:

This "M" design is popular as it not only provides control of substrate movement but also gives the appearance of a narrow reveal. Removable tape keeps the "V" clean during installation.

Specification:

Control Joint shall be Plastic Components, Inc. # _____. All exterior accessories shall be of PVC material conforming to ASTM standards D1784-92 and C1063-94. They shall be used where specified by the architect and installed per industry standards and manufacturer's instructions.



Caulk all butt joints, intersections and ends.

It is recommended that PVC products be used for all exterior exposures.

