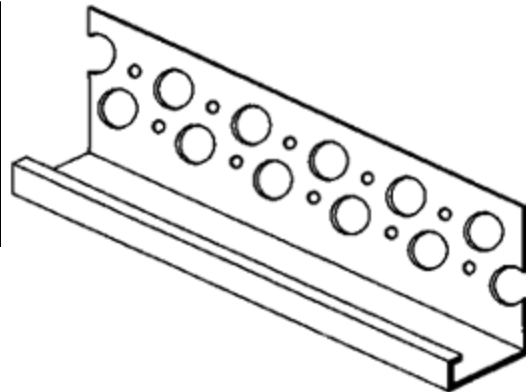


# Stucco and Plaster

## Narrow Flange Casing Bead

Product #	Ground	Dimensions/Descriptions	Pieces/Box
1038X	3/8"	Narrow flange casing bead, 1-1/4" perforated flange.	100
1050X	1/2"		100
1075X	3/4"		75
1078X	7/8"		75
10' Lengths			

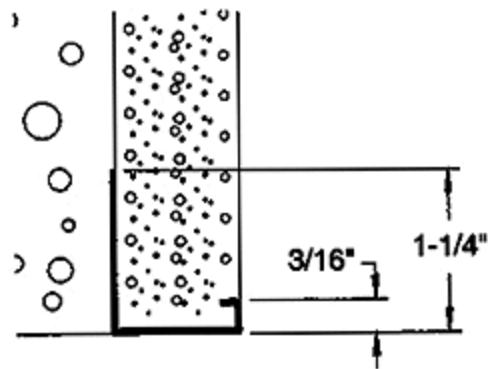


### Application:

To be used around openings or where stucco terminates at a dissimilar surface. Allows stucco to maintain a straight line.

### Specification:

Casing Bead shall be Plastic Components, Inc. # \_\_\_\_\_. All exterior accessories shall be of PVC material conforming to ASTM standards D1784-92 and C1063-94. They shall be used where specified by the architect and installed per industry standards and manufacturer's instructions.



Caulk all butt joints, intersections and ends.

It is recommended that PVC products be used for all exterior exposures.

