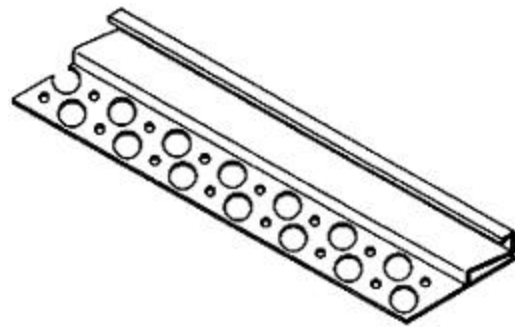


Parts and Pieces

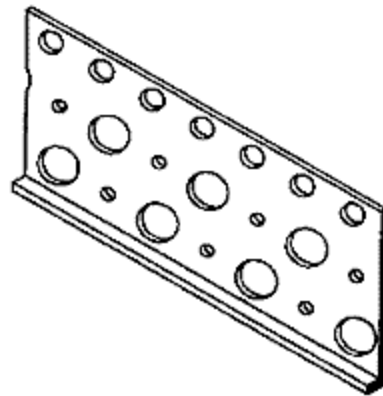
Female Component of a Slip Joint

Product #	Dimensions/Descriptions	Pieces/Box
F-38	Female portion of accessory for slip joints.	60
F-50		60
F-58		60
F-75		60
F-78		50
10' Lengths		



Casing Bead

Product #	Dimensions/Descriptions	Pieces/Box
SX-187-16	Reinforced casing bead, 1-5/8" perforated flange - 1/16" lip.	75
10' Lengths		



Fascia Drip Edge

Product #	Dimensions/Descriptions	Pieces/Box
805	2" Nailing flange with 5/8" drip edge.	50
10' Lengths		

