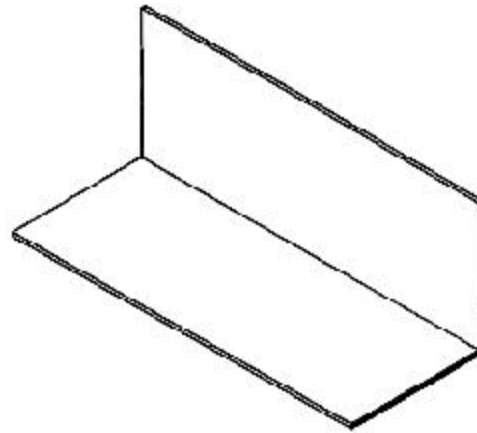


Parts and Pieces

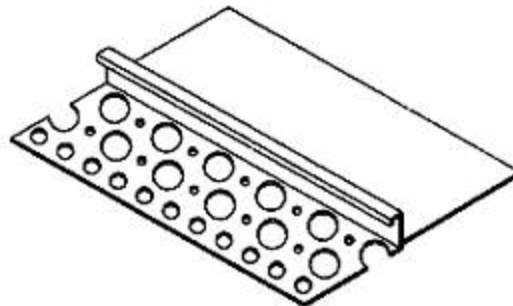
Inside/Outside Corner Angle

Product #	Dimensions/Descriptions	Pieces/Box
223	1-1/2" x 1-1/2" "L" angle.	100
10' Lengths		



Male Component of a Slip Joint 500M

Product#	Dimensions/Descriptions	Pieces/Box
500M-38	Perforated flange 1-3/4". Unperforated area 1-7/8".	40
500M-50		40
500M-75		30
500M-78		25
10' Lengths		



Male Component of a Slip Joint 501M

Product #	Dimensions/Descriptions	Pieces/Box
501M-50	Perforated flange 1-3/4". Unperforated area 1-3/8".	50
501M-75		40
501M-78		35
10' Lengths		

