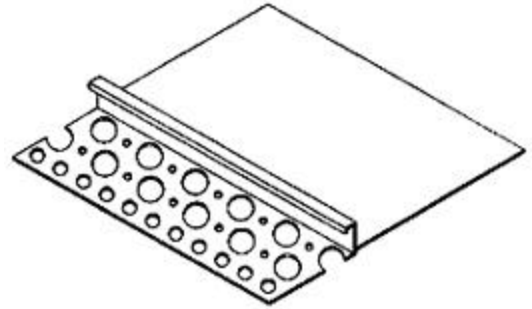


# Parts and Pieces

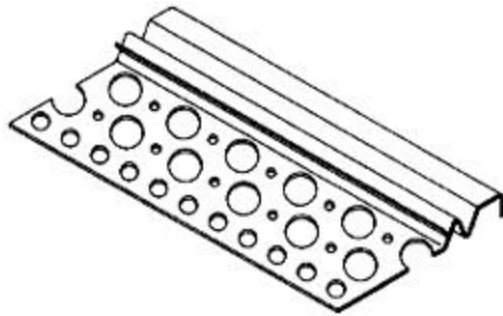
## Male Component of a Slip Joint 502M

Product#	Dimensions/Descriptions	Pieces/Box
502M-75	Perforated flange 1 -3/4". Unperforated area 3".	25
10' Lengths		



## "W" Soffit Drip

Product#	Dimensions/Descriptions	Pieces/Box
540M-25	Forms "W" portion of a soffit drip.	50
540M-38		60
540M-50		50
540M-75		50
540M-78		50
10' Lengths		



## Male Component of a Slip Joint 20M

Product#	Dimensions/Descriptions	Pieces/Box
20M-38	Perforated flange 1 -3/4". Unperforated area 3".	60
20M-50		60
20M-75		50
20M-78		50
10' Lengths		

