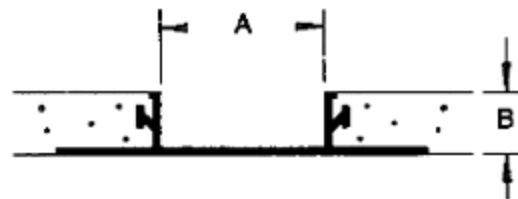
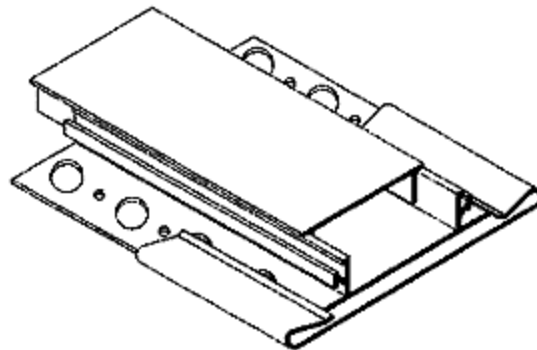


# Stucco and Plaster

## ULTRA-TRAC Plaster Reveal

Product #	Dimension A	Dimension B	Pieces/Box
707-50	1/2"	1/2"	35
708-25	3/4"	1/4"	50
708-38	3/4"	3/8"	35
708-50	3/4"	1/2"	35
708-58	3/4"	5/8"	30
708-75	3/4"	3/4"	30
709-25	1"	1/4"	50
709-38	1"	3/8"	35
709-50	1"	1/2"	20
709-58	1"	5/8"	20
709-75	1"	3/4"	20
710-25	1-1/2"	1/4"	50
710-38	1-1/2"	3/8"	35
710-50	1-1/2"	1/2"	20
710-58	1-1/2"	5/8"	20
710-75	1-1/2"	3/4"	20
10' Lengths			



### ● Application:

Designed for aesthetic use only. Can be used to form patterns and reliefs in wall. Should not be used as an expansion joint. Comes with removable cap(except 1/4" ground reveals) to keep channel clean during installation. Excellent paint adhesion. "Eyebrows" assure positive keying of the stucco to the reveal leg. Connector clips included, should be used for caulk base.

### ● Specification:

Plaster Reveals shall be Plastic Components, Inc. #\_\_\_\_\_. All exterior accessories shall be of PVC material conforming to ASTM standards D1784-92 and C1063-94. They shall be used where specified by the architect and installed per industry standards and manufacturer's instructions.

Product #	Dimension A	Dimension B	Pieces/Box
711-25	2"	1/4"	40
711-38	2"	3/8"	35
711-50	2"	1/2"	20
711-58	2"	5/8"	20
711-75	2"	3/4"	20
712-50	2-1/2"	1/2"	13
712-58	2-1/2"	5/8"	13
712-75	2-1/2"	3/4"	13

### ● Application:

Designed for aesthetic use only. Can be used to form patterns and reliefs in wall. Should not be used as an expansion joint. Comes with removable cap(except 1/4" ground reveals) to keep channel clean during installation. Excellent paint adhesion. "Eyebrows" assure positive keying of the stucco to the reveal leg. Connector clips included, should be used for caulk base.

713-50	3"	1/2"	13
713-58	3"	5/8"	13
713-75	3"	3/4"	13
714-50	4"	1/2"	13
714-75	4"	3/4"	1
10' Lengths			

**● Specification:**

Plaster Reveals shall be Plastic Components, Inc. #\_\_\_\_\_.  
 All exterior accessories shall be of PVC material conforming to ASTM standards D1784-92 and C1063-94. They shall be used where specified by the architect and installed per industry standards and manufacturer's instructions.

Caulk all butt joints, intersections and ends.  
 It is recommended that PVC products be used for all exterior exposures.

